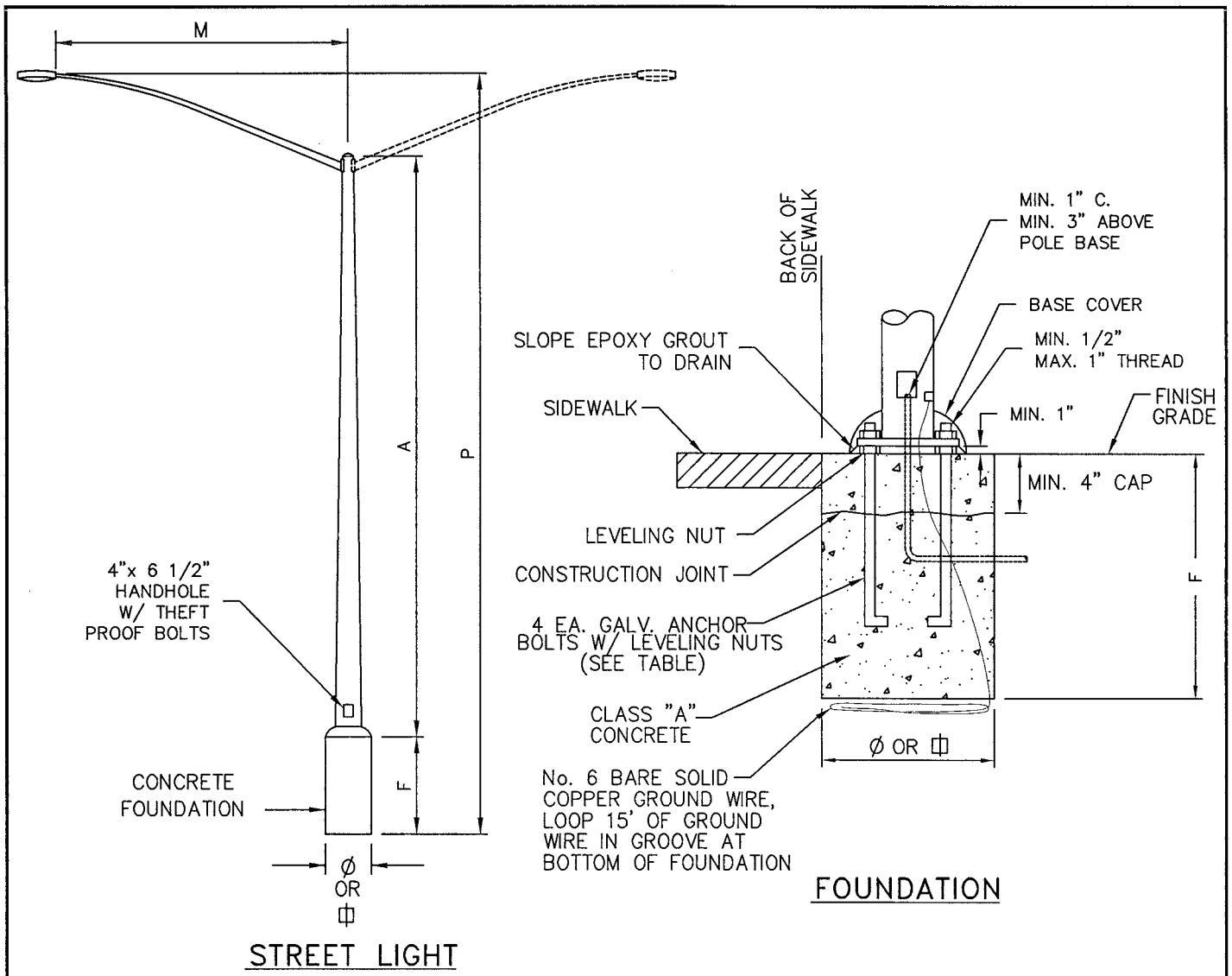


Standard Drawings		
Section 5 – Street Lighting		
Drawing	Sheets	Description
5-1	1	Standard Street Light and Legend
5-2	1	Post Top Street Light
5-3	1	Typical Street Light Locations, Arterial Streets
5-4	1	Typical Street Light Locations, Collector and Residential Streets
5-5	1	Base Location for Street Light
5-6	1	Single Light Direct Service
5-7	1	Service Point Pull Box
5-8	1	Electric Service Pedestal



POLE DATA			ARM	FOUNDATION		ANCHOR BOLTS		
A HEIGHT	P MTG. HGT.	ACCEPTABLE PRODUCTS	M LENGTH	F DEPTH	Ø DIA	⊞ SQ	SIZE	BOLT CIRCLE
22'-6"	25'-0"	VALAMONT DS 50 5.9A220-6S OR APPROVED EQUIVALENT	6'	3'-4"	24"	20"	1" x 36" x 4"	9"
27'-6"	30'-0"	VALAMONT DS 50 6.6A270-6S OR APPROVED EQUIVALENT	6'	5'-0"	30"	27"	1" x 36" x 4"	9 1/2"

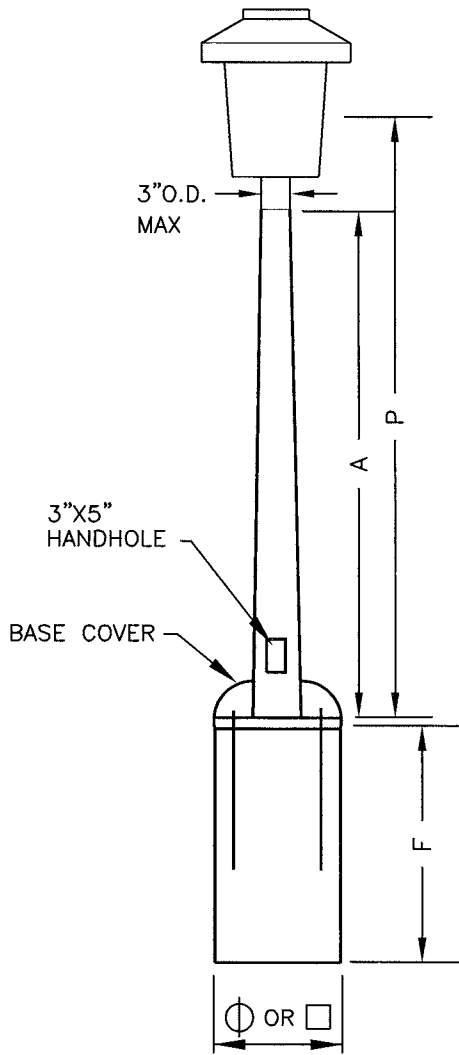
NOTES:

- PULL BOX SHALL BE INSTALLED ADJACENT TO POLE WITHIN 36". PULL BOX SHALL NOT BE LOCATED IN SIDEWALK WITHOUT PRIOR APPROVAL OF THE COUNTY ENGINEER.
- WHEN A SECONDARY PULL BOX IS LOCATED WITHIN 8' OF POLE, PULL BOX AT BASE OF STREETLIGHT IS NOT REQUIRED.
- COMPLY WITH ALL UTILITY REQUIREMENTS.
- STREET LIGHT NUMBERING SHALL BE AS REQUIRED BY PACIFIC GAS AND ELECTRIC (UTILITY).
- PROVIDE SHIELDS ON HOUSE SIDE.

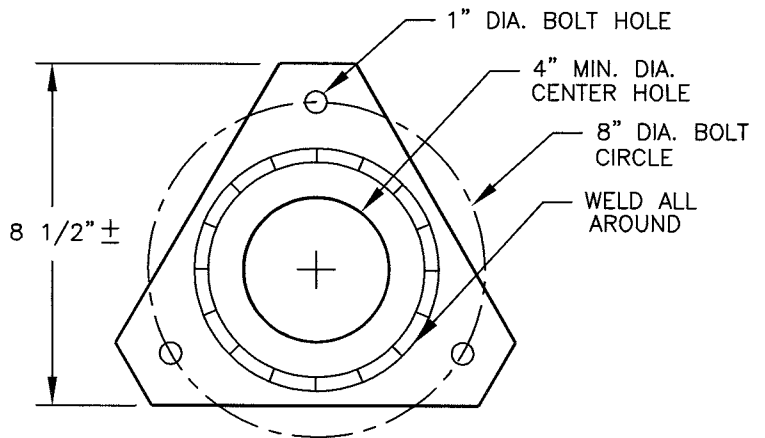
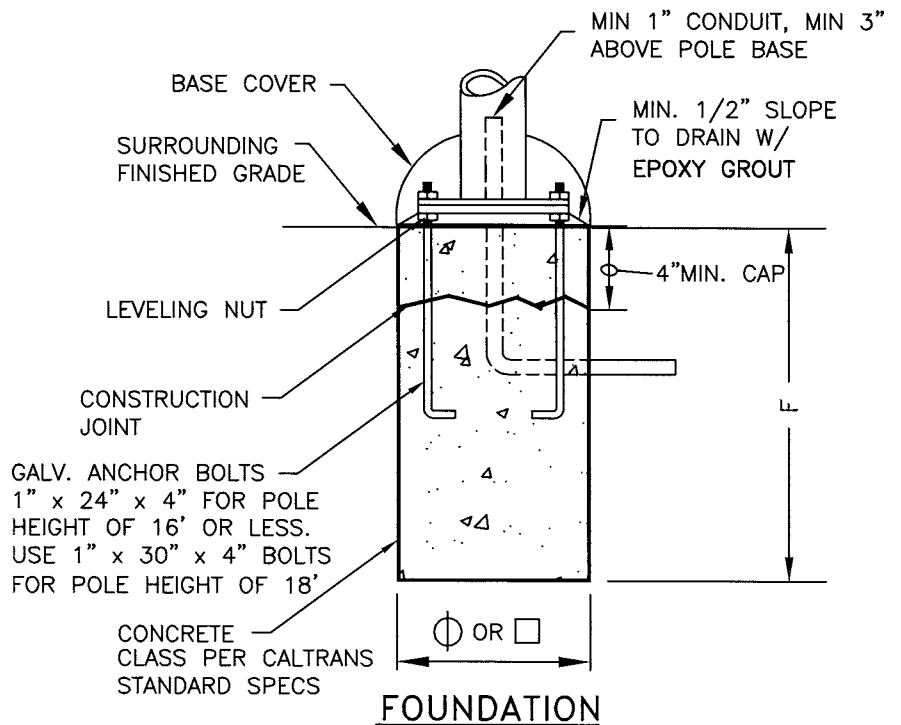
LEGEND

PROPOSED	EXISTING	
		STANDARD STREET LIGHT
		POST TOP
		PULLBOX
		CONDUIT
		SERVICE CAN
		U.G. UTILITY SERVICE PEDESTAL
		TRANSFORMER
		WOOD POLE

COUNTY OF YOLO		DATE: 08/05/08
PLANNING AND PUBLIC WORKS DEPARTMENT		SHEET # 1 OF 1
STANDARD STREET LIGHT AND LEGEND		DRAWING #: 5-1 NOT TO SCALE
 COUNTY ENGINEER No. C42401		28 AUG 08 APPROVAL DATE



POST TOP LIGHT



BASE

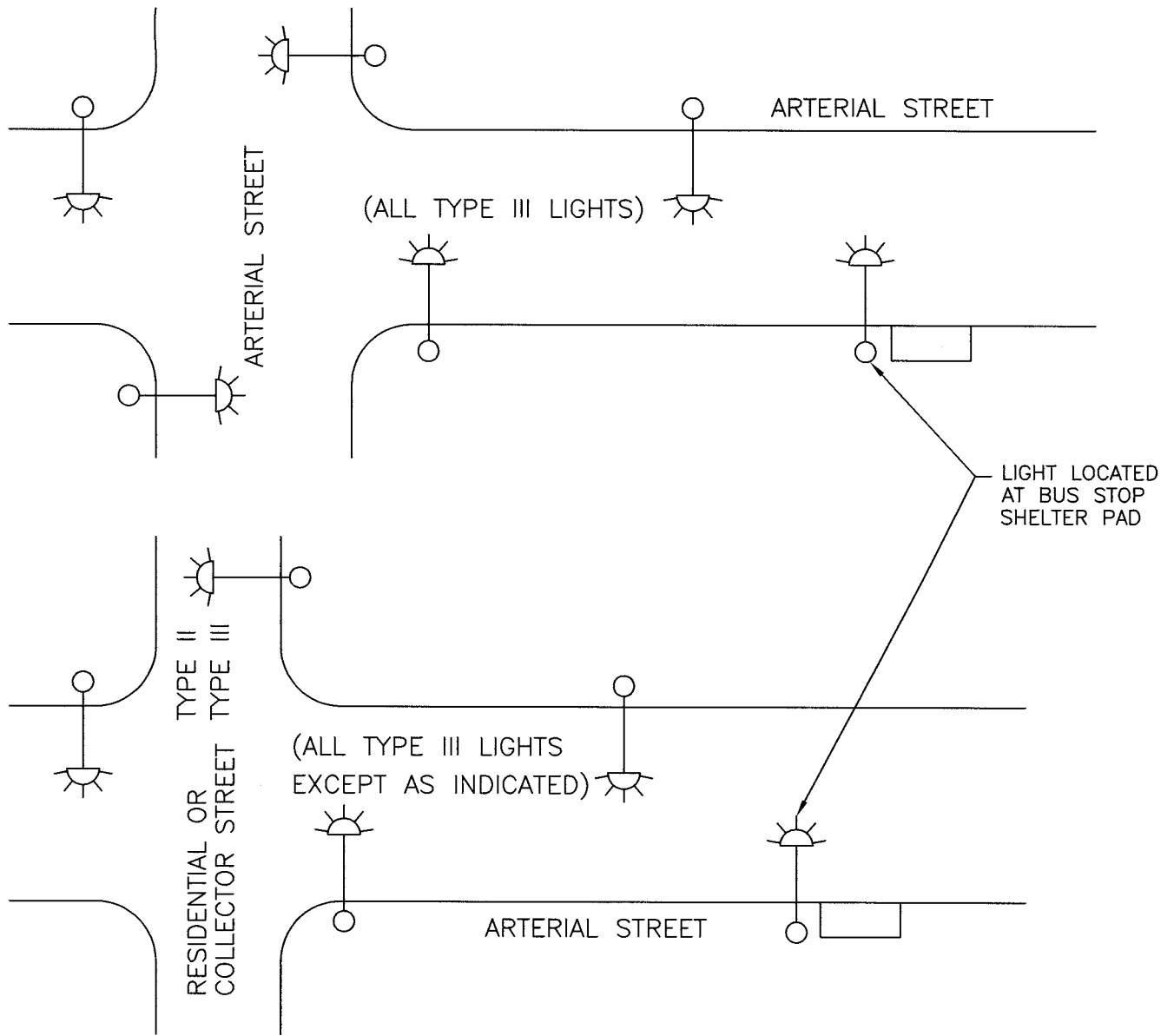
POLE DATA			FOUNDATION		
A HEIGHT	P MTG. HGT.	ACCEPTABLE PRODUCTS	F DEPTH	Ø DIA.	□ SQ.
12', 14', 16'	VARIABLES	UNION METAL DESIGN SERIES 201 AMERON SERIES PGF VALMONT SERIES DS 200 OR APPROVED EQUIVALENT	30"	27"	24"
18'	VARIABLES		36"	27"	24"

NOTES:

1. REFER TO UTILITY REQUIREMENTS FOR CONDUITS, WIRING AND GROUNDING.

COUNTY OF YOLO		DATE:
PLANNING AND PUBLIC WORKS DEPARTMENT		08/05/08
POST TOP STREET LIGHT		SHEET #
		1 OF 1
<i>Paros Kokkas</i>		DRAWING #:
COUNTY ENGINEER No. C42401		5-2
28 AUG. 08		NOT TO SCALE
APPROVAL DATE		

STREET LIGHT PLACEMENT ARTERIAL STREETS

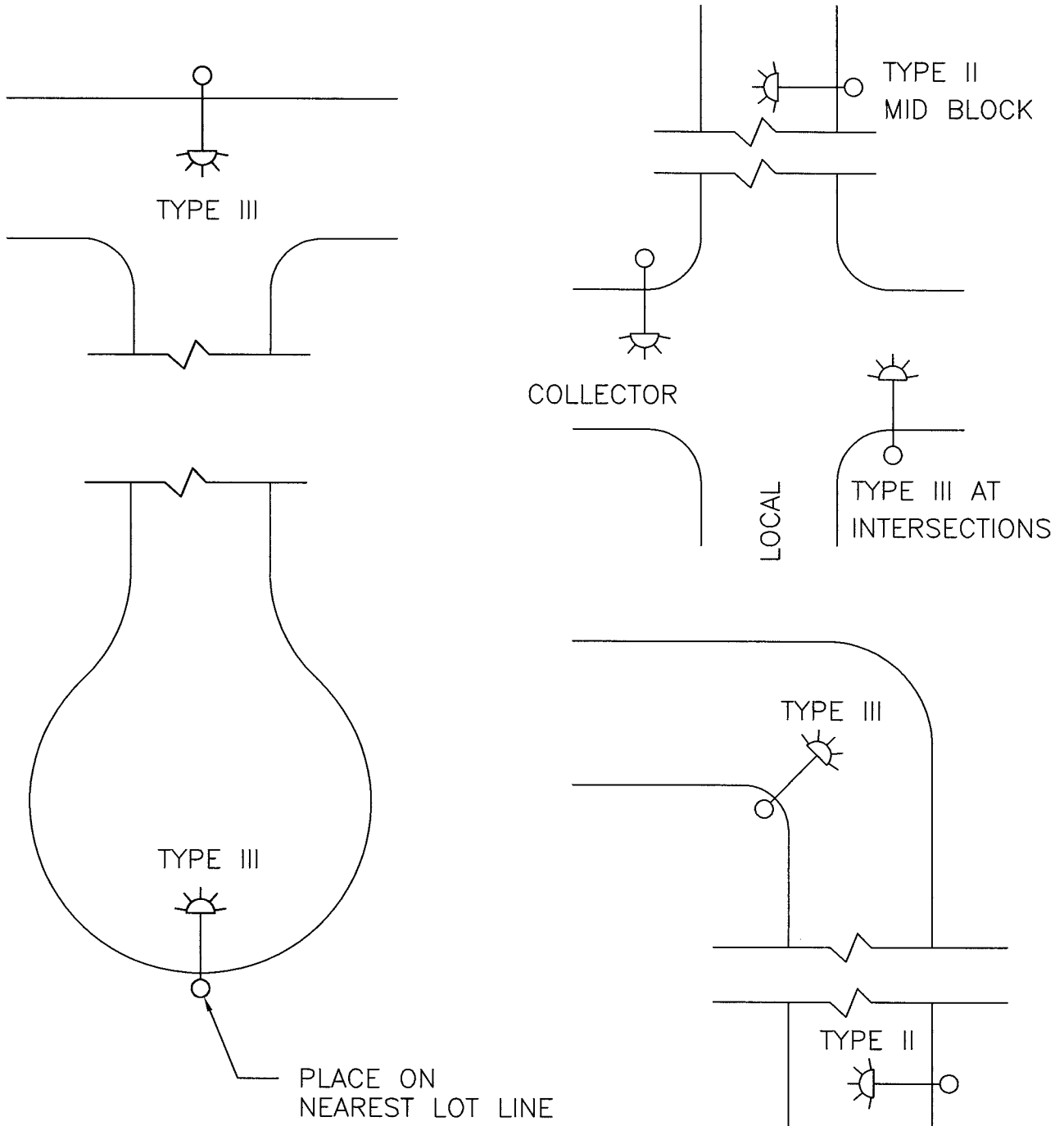


NOTE:

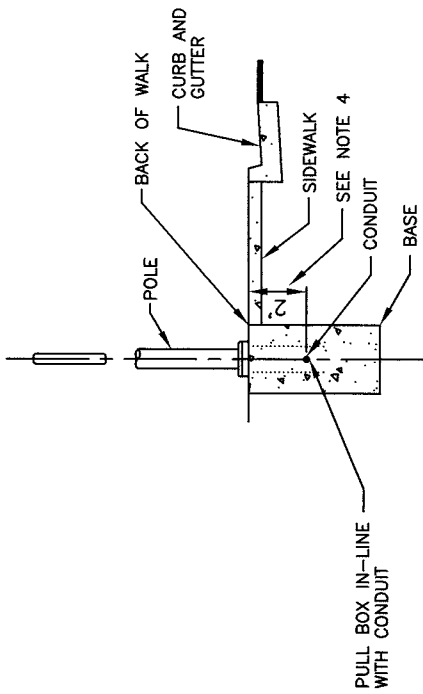
1. SEE SECTION 5-6 OF THE SPECIFICATIONS FOR STREET LIGHT SPACING.

COUNTY OF YOLO PLANNING AND PUBLIC WORKS DEPARTMENT		DATE: 08/05/08
TYPICAL STREET LIGHT LOCATIONS ARTERIAL STREETS		SHEET # 1 OF 1
<i>Paros Kallas</i> COUNTY ENGINEER No. C42401	28 AUG. 08 APPROVAL DATE	DRAWING #: 5-3 NOT TO SCALE

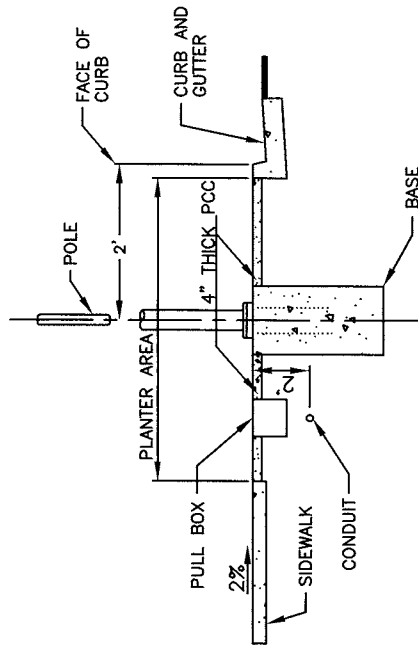
STREET LIGHT PLACEMENT ON COLLECTOR AND RESIDENTIAL STREETS



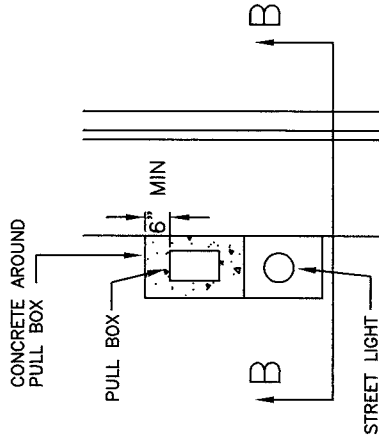
COUNTY OF YOLO		DATE: 08/05/08
PLANNING AND PUBLIC WORKS DEPARTMENT		SHEET # 1 OF 1
TYPICAL STREET LIGHT LOCATIONS COLLECTOR AND RESIDENTIAL STREETS		DRAWING #: 5-4 NOT TO SCALE
<i>Paros Kalkas</i> COUNTY ENGINEER No. C42401	<i>28 AUG 08</i> APPROVAL DATE	



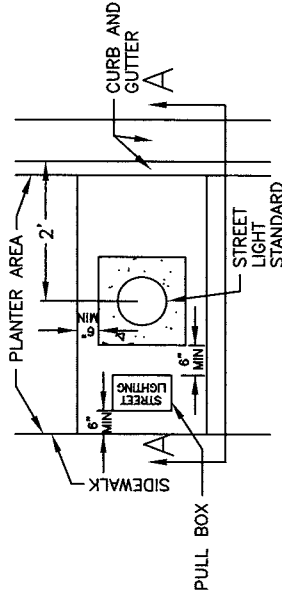
SECTION B-B



SECTION A-A



PLAN-STREET LIGHT AT CURB GUTTER AND SIDEWALK



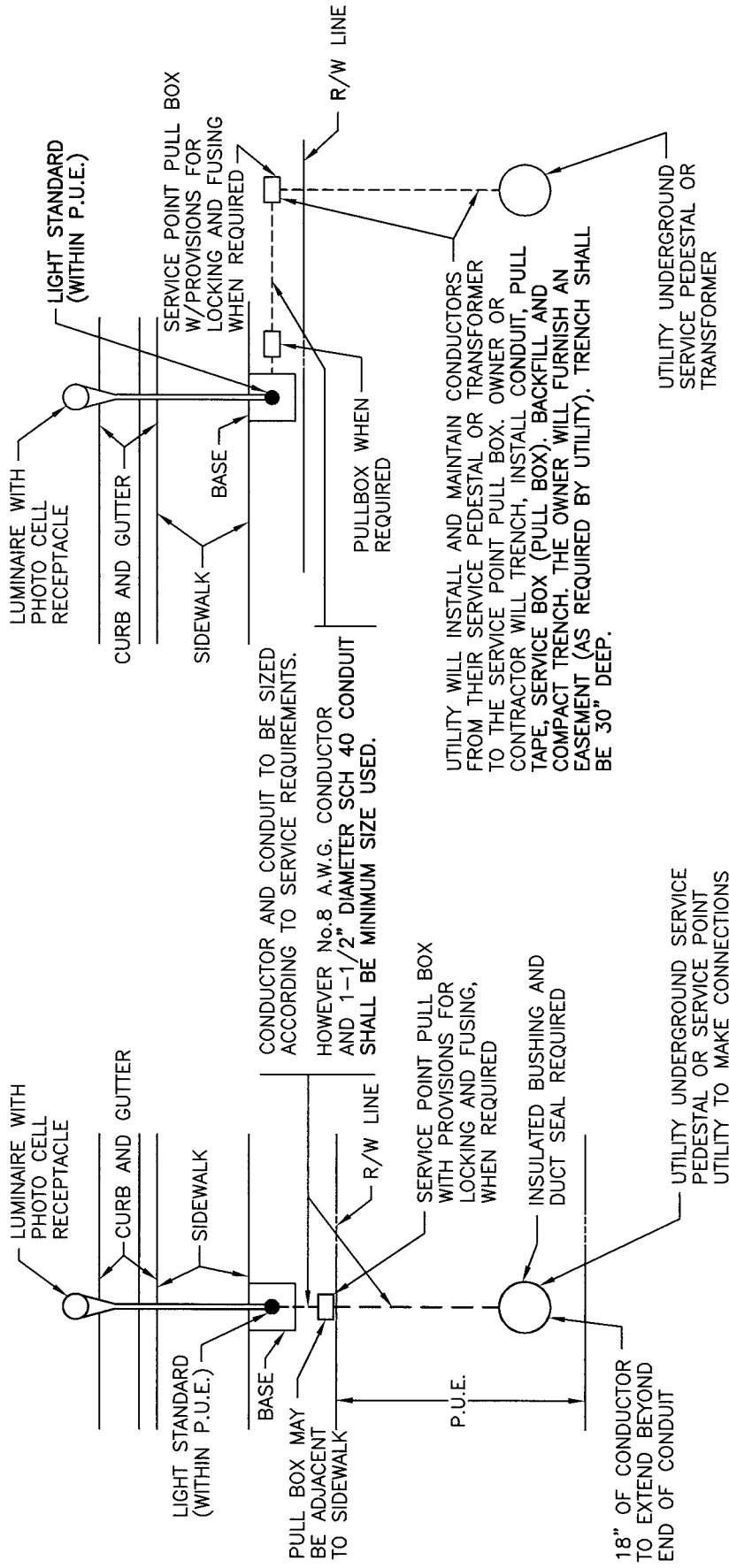
PLAN-STREET LIGHT AT PLANTER STRIP

NOTES:

1. CONDUIT TRENCH BACKFILL SHALL BE COMPACTED TO 95% RELATIVE COMPACTION.
2. LANDSCAPING GRADES IN THE AREA OF THE STREET LIGHT STANDARD WILL MATCH BASE ELEVATION. SEE SHEET 5-7 FOR STREET LIGHT SERVICE POINT PULL BOX DETAILS.
3. INSTALL RODENT SCREEN AT THE BOTTOM OF THE PULL BOX.
4. IF CONDUIT IS LOCATED BENEATH THE SIDEWALK, IT MAY BE PLACED AT 18" DEPTH INSTEAD OF 2'.
5. PULL BOX MAY BE OMITTED IF SERVICE PT IS WITHIN 50' OF LIGHT.
6. PRECAST BASES MAY BE USED, BUT MUST BE BACKFILLED WITH 2-SACK CONCRETE SLURRY VIBRATED INTO PLACE.
7. PROVIDE SHIELD ON HOUSE SIDE.

COUNTY OF YOLO PLANNING AND PUBLIC WORKS DEPARTMENT	DATE: 08/05/08
	SHEET # 1 OF 1
BASE LOCATION FOR STREET LIGHT	
COUNTY ENGINEER No. C42401 <i>Ranar Koppas</i>	DRAWING #: 5-5 APPROVAL DATE 28 Aug. 08

NOT TO SCALE



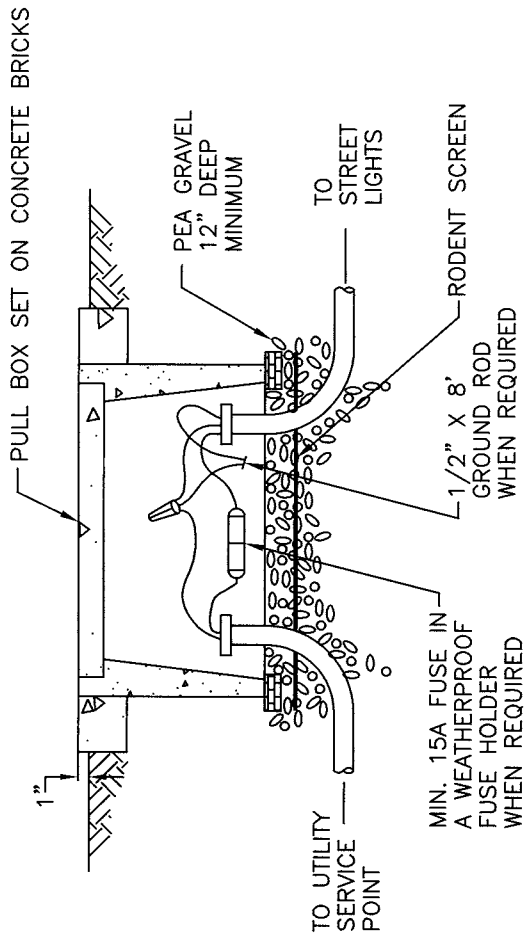
NOTES:

1. CONNECT NEUTRAL CONDUCTOR TO GROUNDING ELECTRODE IN SERVICE POINT PULL BOX.
2. ALL FACILITIES SHALL BE WITHIN RIGHT-OF-WAY OR PUBLIC UTILITY EASEMENT.
3. CONDUIT TO TERMINATE 2" BELOW BOTTOM OF HANDHOLE.
4. SEE SHEET 5-7 FOR STREET LIGHT SERVICE POINT PULL BOX DETAILS.

RESIDENTIAL SERVICE

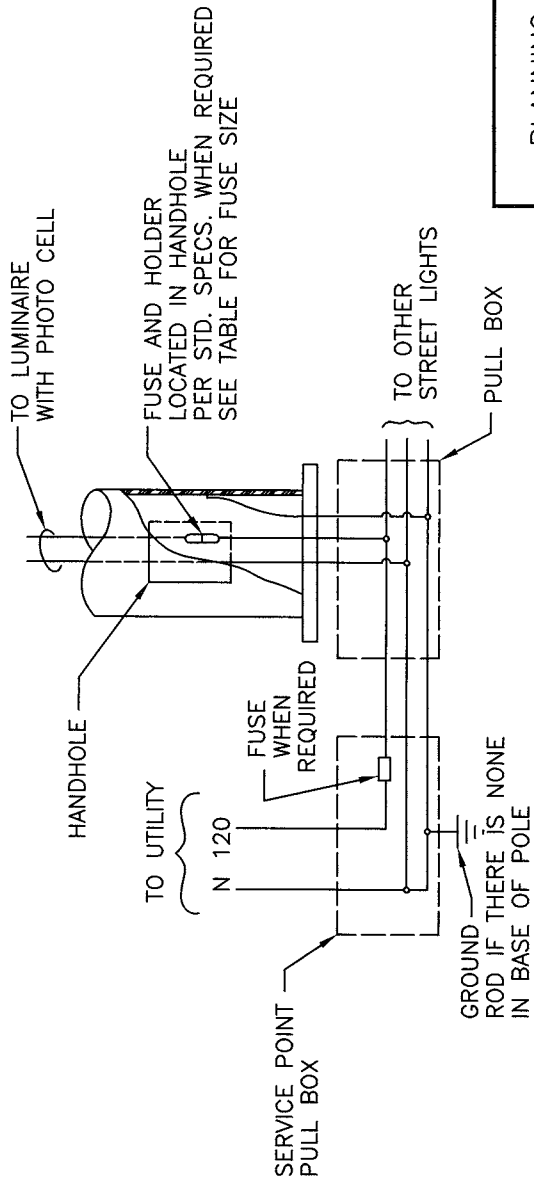
COMMERCIAL SERVICE

COUNTY OF YOLO PLANNING AND PUBLIC WORKS DEPARTMENT	DATE: 08/05/08
SINGLE LIGHT DIRECT SERVICE	SHEET # 1 OF 1
<i>James Walker</i> COUNTY ENGINEER No. C42401	DRAWING #: 5-6 NOT TO SCALE
<i>28 Aug. 08</i> APPROVAL DATE	



LAMP WATTAGE	FUSE SIZE
200 WATT OR LESS	6 AMP
250 WATT-400 WATT	10 AMP

SERVICE POINT PULL BOX DETAILS

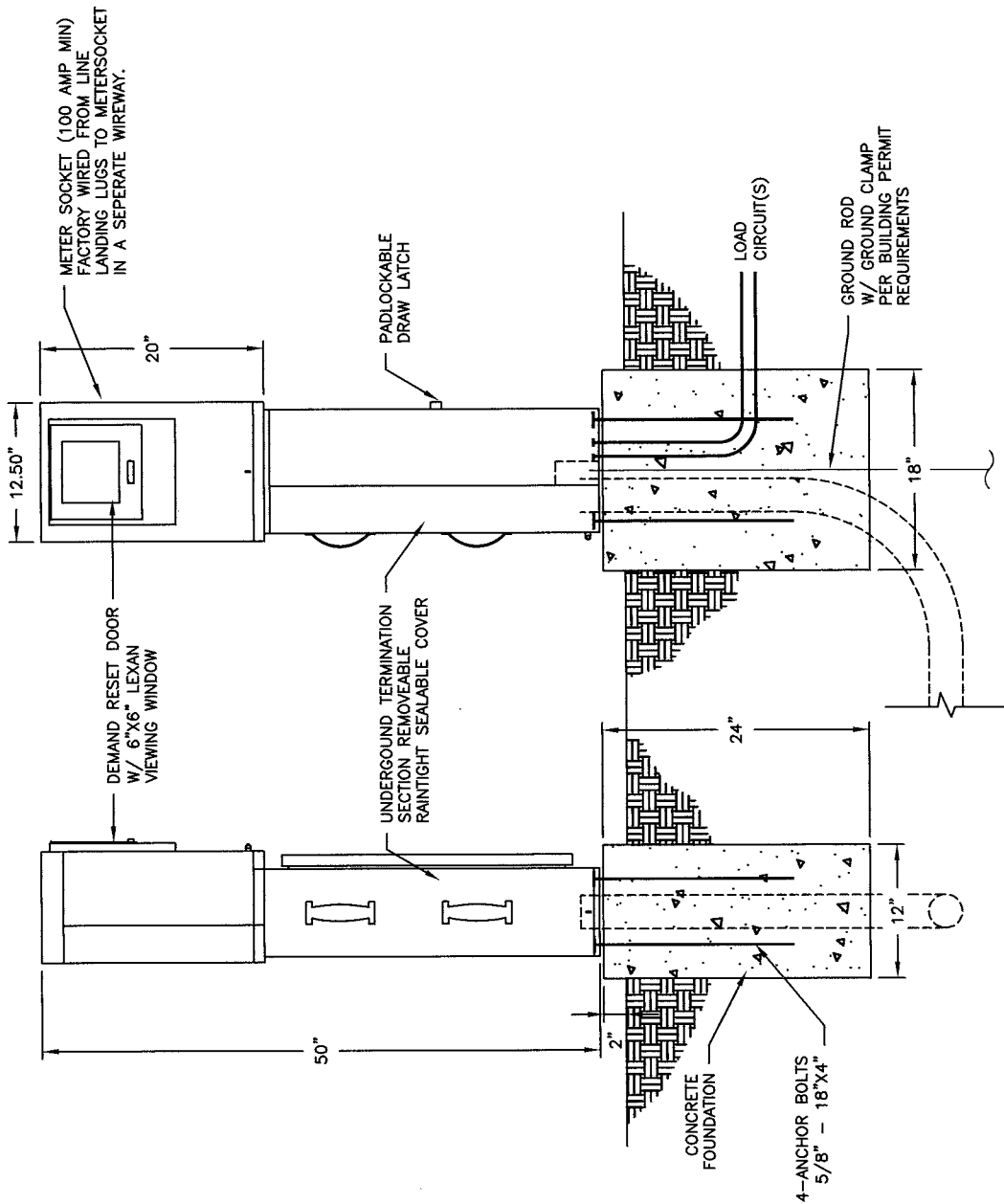


WIRING DIAGRAM

NOTES:

1. FUSE SHALL BE A MIDGET FERRULE TYPE, RATED AT 600 VOLTS.
2. ATTACH GROUND CONDUCTOR TO EACH ELECTROLIER.
3. ALL PULL BOXES SHALL HAVE PROVISIONS FOR LOCKING.
4. PULL BOXES SHALL NOT BE LOCATED IN DRAINAGE SWALES. PROVIDE POSITIVE DRAINAGE AWAY FROM ALL PULL BOXES.
5. INSTALL RODENT SCREEN BETWEEN PULL BOX AND PEA GRAVEL, JUST BENEATH BRICKS.
6. PULL BOXES AT JUNCTION BOXES SHALL BE LOCATED AT LEAST 20' FROM FIRE HYDRANTS.

COUNTY OF YOLO PLANNING AND PUBLIC WORKS DEPARTMENT	DATE: 08/05/08
SERVICE POINT PULL BOX	SHEET # 1 OF 1
<i>Panos</i> COUNTY ENGINEER No. C42401	DRAWING #: 5-7 NOT TO SCALE
<i>Wolke</i> 28 AUG 08 APPROVAL DATE	



- NOTES:
- SERVICE PEDESTAL AND IRRIGATION CONTROLLER PANELS SHALL BE CONSISTENT WITH THIS DETAIL.
 - LOCATE PEDESTALS SO AS TO MINIMIZE THE POSSIBILITY OF DAMAGE FROM ERRANT VEHICLES OR LANDSCAPE CONTRACTORS.
 - SERVICE PANEL SHALL MEET UTILITY AND EUSERC REQUIREMENTS.
 - DEVELOPER SHALL OBTAIN COUNTY BUILDING PERMIT AS REQUIRED TO INSTALL SERVICE PEDESTAL.
 - PROVIDE 15A GFCI RECEPTICLE INSIDE PEDESTAL.
 - CABINET SHALL BE FABRICATED FROM 304D STAINLESS STEEL.
 - TESCO MODEL 26-000 OR EQUIVALENT.

COUNTY OF YOLO PLANNING AND PUBLIC WORKS DEPARTMENT	DATE: 08/05/08
ELECTRIC SERVICE PANEL	SHEET # 1 OF 1
<i>Panos Koblas</i> COUNTY ENGINEER No. C42401	DRAWING #: 5-8 NOT TO SCALE
APPROVAL DATE <i>28 Aug. 08</i>	